

CM4 Media

A Very Thin 4K Ultra HD Streaming Media Computer

EDA TECHNOLOGY CO.,LTD

2022-10-24



Highlight

- ◆ Powerful performance with Quad-core CPU, up to 8GB RAM, SSD support
- ◆ Dual displays with 4K output
- ◆ Premium audio with stereo speakers, MEMS microphone integrated and Headphone Jack support
- ◆ Fast networking with Gigabit Ethernet, Dual-band WiFi, Bluetooth and optional 4G LTE
- ◆ Compact, beautiful, silent and energy-efficient



Introduction

CM4 Media is a multimedia computer designed based on Raspberry Pi Compute Module 4. It provides 2 channels of USB3.0, 1 channel of USB2.0, 1 channel of Gigabit Ethernet interface, 2 channels of HDMI interface supporting 4K video output, 8 megapixel camera and 2 channels of stereo speakers. You can play Audio and video without additional accessories.

You only need to press the power button to start or shut down the computer like operating a Windows computer. The operating system can be installed on the SSD hard disk and it boot faster than from SD card. The large-capacity SSD hard disk can store various video data. The access speed of SSD hard disk is up to 300MB/S.

CM4 Media installed Raspberry Pi certified external WiFi and Bluetooth dual-band antennas to provide better wireless signals.

You can load different application software to turn the CM4 Media multimedia computer into a network set-top box, network storage server, wireless access point and other different devices.

CM4 Media's case is made by CNC-cut aluminum alloy, very beautiful. The case provides excellent heat dissipation performance for the CPU, PMU and wireless module, which improves the system reliability. You can choose black, silver and pink color.

Pink

Silver

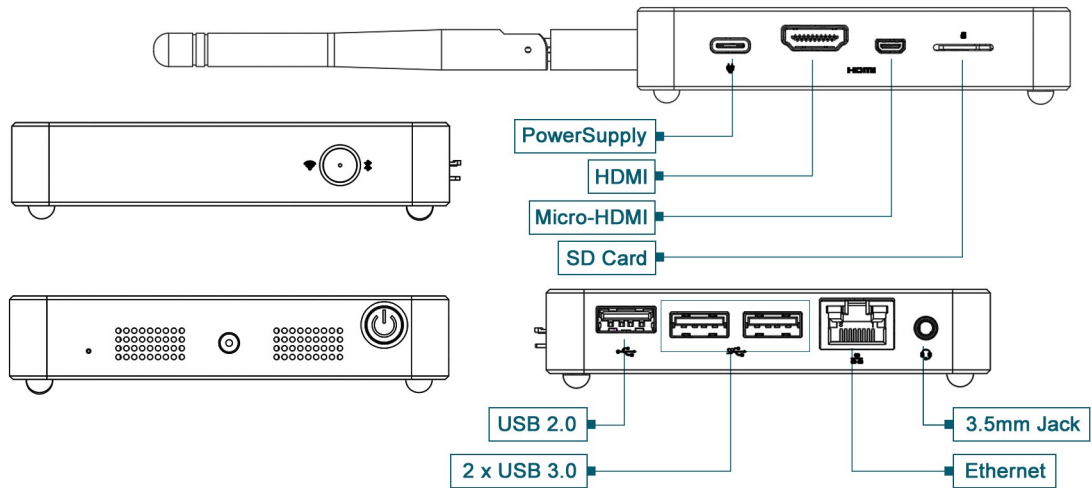
Black



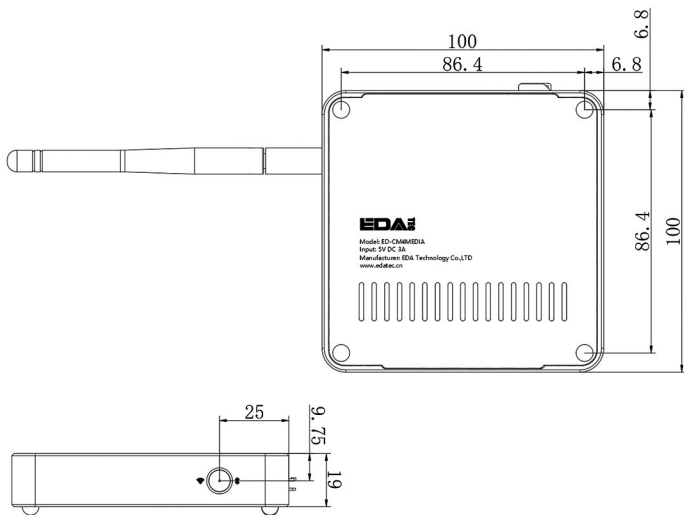
Specifications

Item	Feature
Processor	Broadcom BCM2711 quad-core Cortex-A72 (ARM v8) 64-bit SoC @ 1.5GHz H.265 (HEVC) (up to 4Kp60 decode), H.264 (up to 1080p60 decode, 1080p30 encode) OpenGL ES 3.0 graphics
Memory	1GB/2GB/4GB/8GB LPDDR4-3200 SDRAM Optional
Storage	Support boot from SD Card(Capacity can be choose from 32GB~256GB) Support boot from SSD hard disk driver(Capacity can be choose from 120GB~1TB)
Multimedia	8-megapixel camera (Optional) 2× channel 1W stereo speakers 1× channel MEMS microphone Support headphone jack and external microphone 1× standard HDMI 4K high-definition output interface 1× channel Micro HDMI 4K high-definition output interface
Network and wireless	1× channel 10/100/1000M Ethernet 2.4G/5.8G dual-band WiFi, compatible with IEEE 802.11 b/g/n/ac Bluetooth BLE5.0 1× official Raspberry Pi external antenna 4G/LTE version optional (non-SSD hard disk version)
Interface	2× channels USB3.0 1× channel way USB2.0
RTC	RTC built-in with backup battery
Power Supply	USB Type C interface, 5V/3A DC input
LED Indicator	One click switch turn on/off the system with power & status LED indication
Power In	USB Type C interface,5V/3A DC input
Dimension	100*100*19mm
Software Environment	Raspbian Desktop version pre-installed

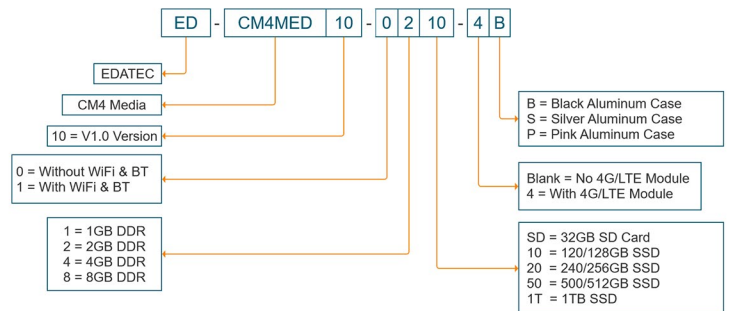
Interface Diagram



Dimension Unit:mm



Order Information



Example

Part#: ED-CM4MED10-1820-P
Configuration: CM4 Media Computer V1.0 version
 1pcs Raspberry Pi certified WiFi/Bluetooth Antenna
 8GB DDR,240/256GB SSD,WiFi & Bluetooth
 Pink Aluminum Case

Contact Information

If you have any technical problems, Please contact:

Paul Niu pnui@edatec.cn

Support support@edatec.cn

Business related, such as Quotation, Product Customization, Please contact:

Sales sales@edatec.cn

Web : www.edatec.cn

E-mail : sales@edatec.cn

Tel / Mobile / Fax: +86 - 18621560183

Address : Room 301, Building 24, No. 1661, Jialuo Road, Jiading District, Shanghai.

